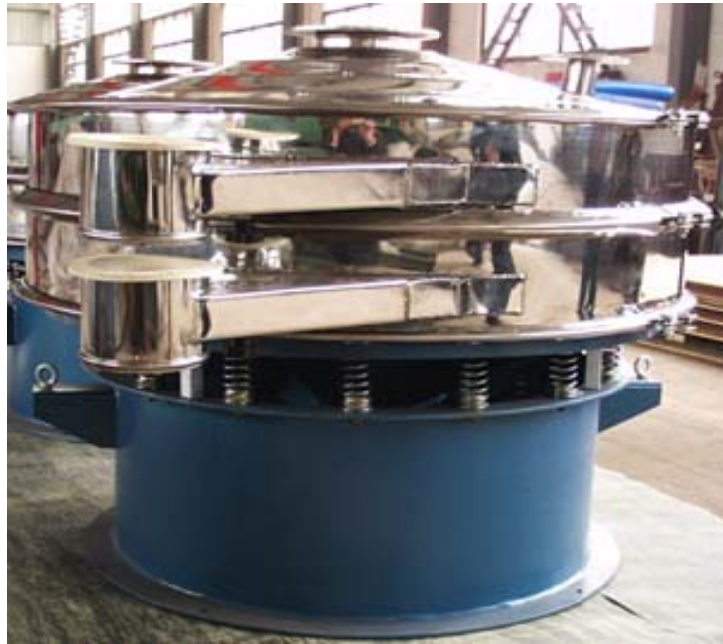


## Spare Parts of the Rotary Round Vibrating Screen

We all know rotary round vibrating screen is a kind of special and high precision screening and separating machine. It is generally used for kinds of dry, wet and geometrical shapes material for sieving and separating. The granulation, powders and liquid can be separated into different size or dewatering continuously through the different sieve mesh to achieve the material needed.



The rotary round vibrating screen machine spare part include net rack, jumping ball, clamps and so on. As a professional vibrating screen manufacturer, we provide the clients with a complete set of vibrating screen parts. When the screen machine reach the service life, some parts will be damaged and have to exchange . Especially for the end users, preparing for one or more groups of spare parts is most important for prolong the vibrating screen working life.



Separation frame group0



Silicone Ball



top cover



U Shape Sealing Strip



V Shape Sealing Strip



Vertical Motor



Bottom Frame



Clamps Bolts



Clamps



Damper Spring



Jump Ball



Middle Frame



Net Rack Group



Net Rack



rubber ring

### Top Cover



<b>Item</b>	Top Cover
<b>Model</b>	Φ600mm、Φ800mm、Φ1000mm、Φ1200mm、Φ1500mm、Φ1800mm、Φ2000mm
<b>Material</b>	SUS304, SUS316L
<b>Function</b>	Prevent the dust in the workshop from falling into the material and polluting the material, the hole on the top is the product inlet.

### Middle Frame



<b>Item</b>	Middle Frame
<b>Model</b>	Φ600mm、Φ800mm、Φ1000mm、Φ1200mm、Φ1500mm、Φ1800mm、Φ2000mm
<b>Material</b>	SUS304, SUS316L

### Bottom Frame



<b>Item</b>	Bottom Frame
<b>Model</b>	Φ600mm、Φ800mm、Φ1000mm、Φ1200mm、Φ1500mm、Φ1800mm、Φ2000mm
<b>Material</b>	SUS304

### Net Rack



<b>Item</b>	Net Rack
<b>Diameter</b>	Φ600mm、Φ800mm、Φ1000mm、Φ1200mm、Φ1500mm、Φ1800mm、Φ2000mm
<b>Aperture</b>	Can be customized
<b>Material</b>	SUS304
<b>Structure</b>	Screen and rack is one group and can be formed into 1-5layers which is easy to exchange

### Clamps



<b>Item</b>	Clamps
<b>Diameter</b>	Φ600mm、Φ800mm、Φ1000mm、Φ1200mm、Φ1500mm、Φ1800mm、Φ2000mm
<b>Material</b>	SUS304
<b>Structure</b>	Screen and rack is one group and can be formed into 1-5layers which is easy to exchange

### Cleaning Ball



Rubber Ball



Silicone Ball



<b>Item</b>	Cleaning Ball
<b>Diameter</b>	Φ20mm、Φ25mm、Φ30mm
<b>Price</b>	It depends on the different diameter
<b>Material</b>	Rubber, Silicone
<b>Function</b>	Prevent the screen mesh from blocking

### Sealing Strip



U Shape Sealing Strip



V Shape Sealing Strip

<b>Item</b>	Sealing Strip
<b>Diameter</b>	Φ600mm、Φ800mm、Φ1000mm、Φ1200mm、Φ1500mm、Φ1800mm、Φ2000mm
<b>Type</b>	U shape and V Shape
<b>Material</b>	Rubber, Silicone
<b>Function</b>	Seal the net rack, reduce the friction of the every parts, prevent the different material grade from mixing to guarantee high screening precision

### Rubber Ring



<b>Item</b>	Rubber Ring
<b>Diameter</b>	Φ150mm
<b>Material</b>	Rubber, Silicone, Nylon
<b>Function</b>	Clean the screen mesh, equip with the cleaning ball to prevent the screen mesh blocking



**Damper Spring**

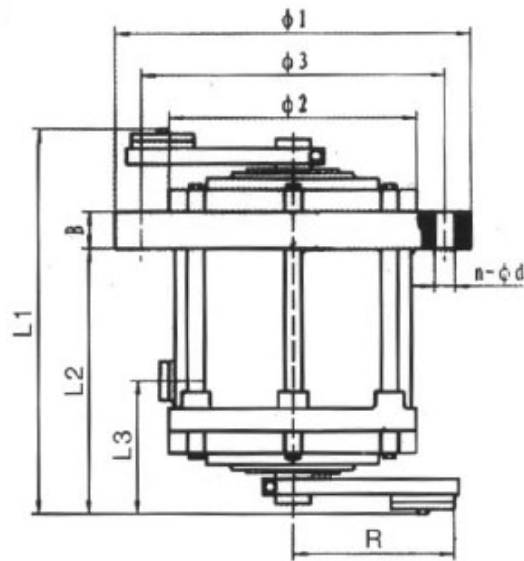


**Screw Bolts**

<b>Item</b>	Damper Spring Screw Bolts
<b>Diameter</b>	Φ5.5*36*140(Spring)
<b>Material</b>	manganese steel
<b>Function</b>	Damping(Spring), Sealing and Fixing(Screw Bolts)

### YZUL Vertical Motor

YZUL Vertical motor has eccentric block at the top and bottom which makes the rotating of motor convert horizontal, vertical and inclined three- dimensional motion. Then the motor pass the motion into screen mesh and make the material diffuse outward gradually.



Model	Exciting Force (KN)	Power (KW)	Rotation(rpm)	Installation Dimension(mm)			Overall Dimension(mm)				
				φ3	N	φ	φ1	φ2	L1	L2	L3
3-4	3	0.18	1500	200	4	12	230	155	209	144	74
5-4	5	0.25		210	4	12	245	165	326	212	85
8-4	8	0.55		235	6	14	270	190	340	233	144
10-4	10	0.75		265	8	18	310	220	436	290	144
15-4	15	1.1		265	8	18	310	220	452	299	144
30-4	30	1.5		315	8	22	370	264	488	328	153
50-4	50	2.2		390	8	26	450	330	550	374	150